

Device Racks

Compatible with:

iQ 10 Charging Station™ (PCL 7121)

iQ 10 Sync Charge Station™ (PCL 7120)

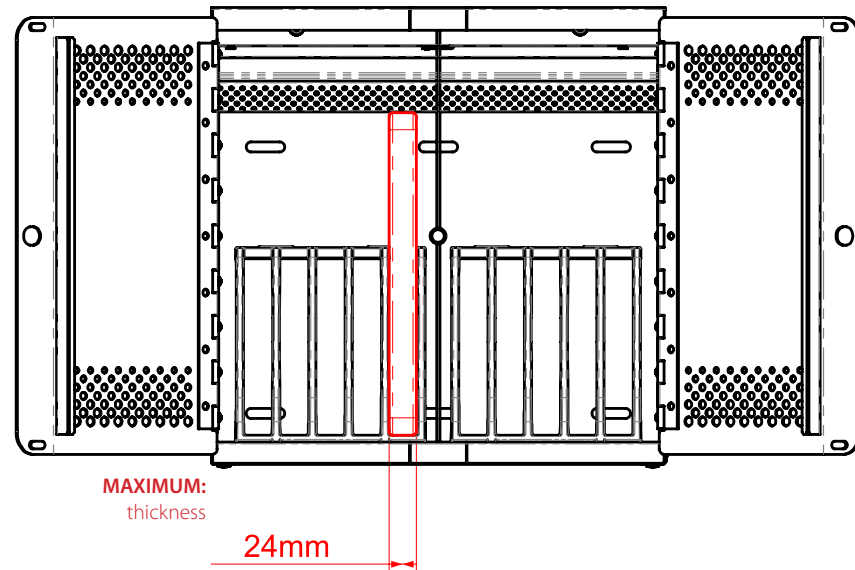
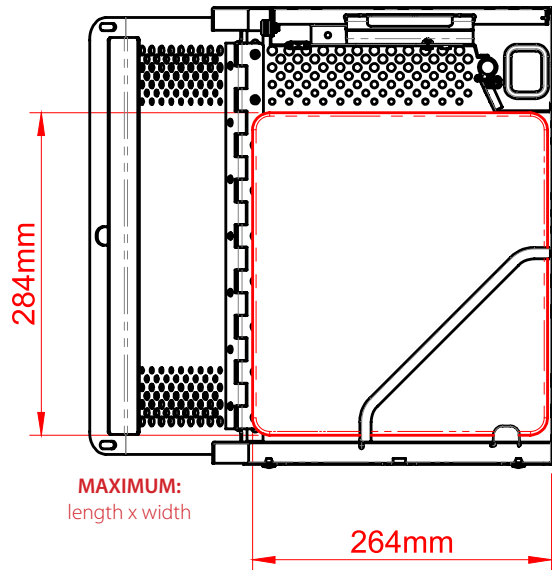
Don't need the Baskets in your iQ 10 Stations?
Install the included device racks. This document
will specify the maximum dimensions that will fit
in the iQ 10 Stations device racks.



Check your device's compatibility with this guide.



If your device is smaller than the measurements shown below, your device is compatible.



STATION COMPATIBILITY	DESCRIPTION	TOTAL DEVICES PER STATION	MAX DIMENSIONS: (length x width x thickness)
PCL7120 PCL7121	Device Rack (set of 2)	10	284mm x 264mm x 24mm

www.pclocs.com.au

Phone: 1300 725 627

sales@pclocs.com.au

