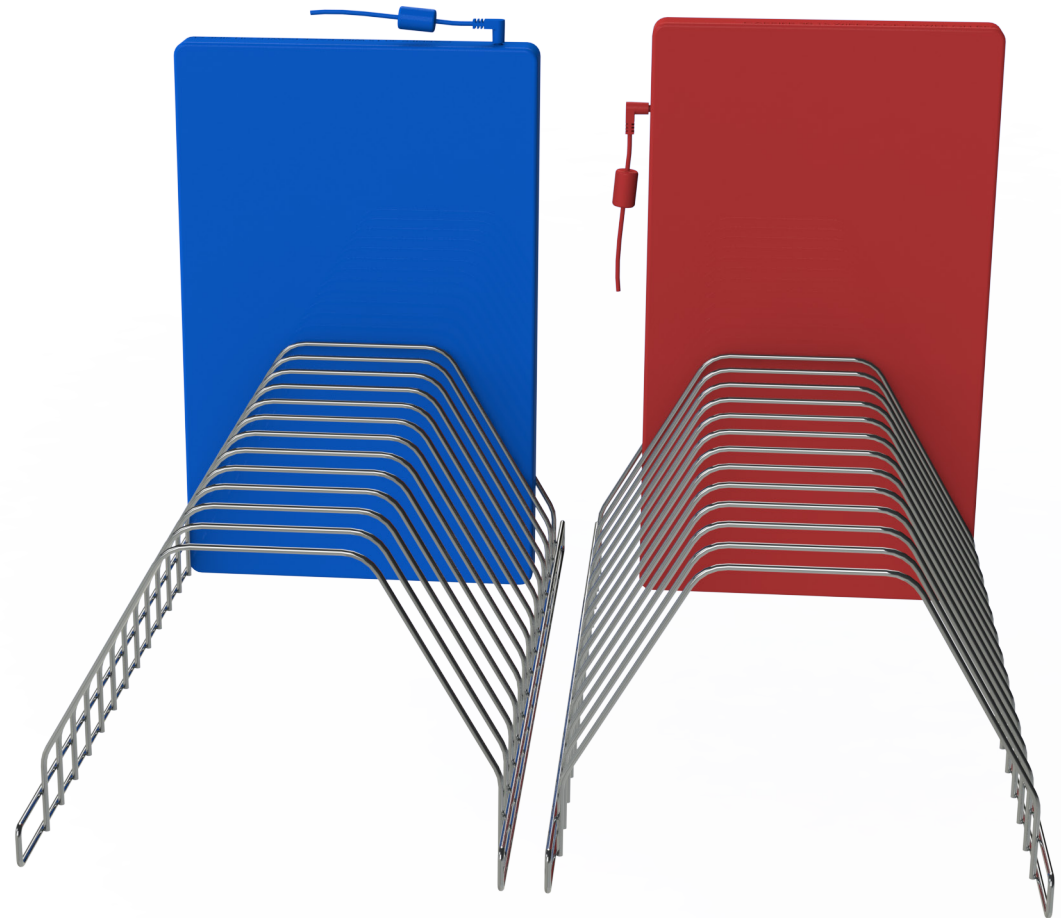


Carrier Device Racks

for Carrier 40 Cart™

(Compatible with PCL 8011)

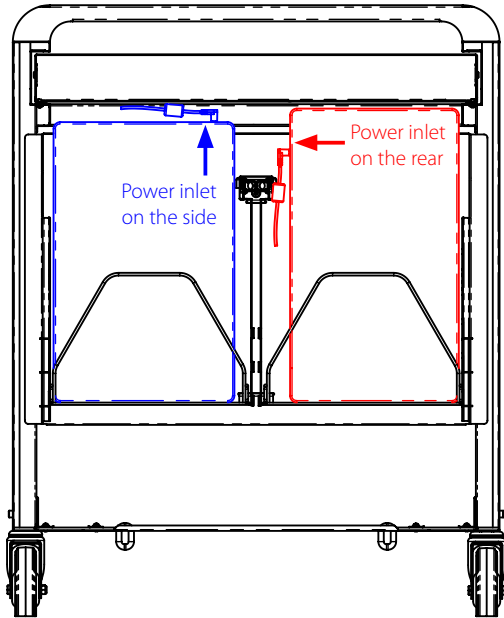
Need to fit bigger devices in your Carrier 40 Cart? Install PC Locs' Carrier Device Racks and expand the device compatibility to large Chromebooks and Laptops.



Follow the steps below to check your device's compatibility.

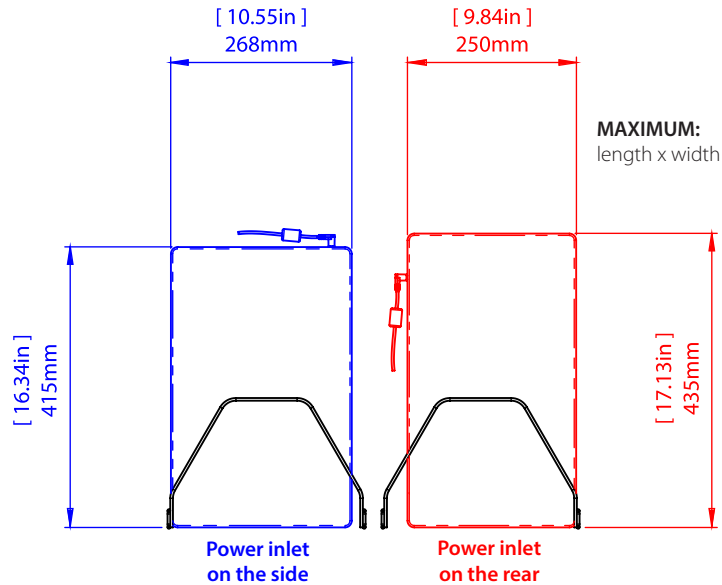
1

Check where the power inlet is located on your device. Is it on the side or on the rear of your device?



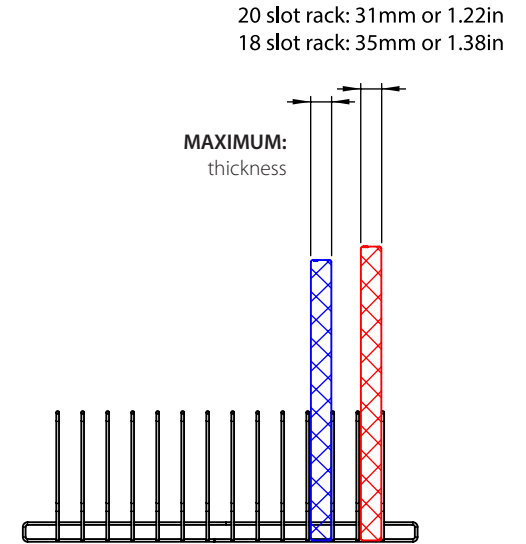
2

Check your device dimensions. Use the **blue** measurements if the power inlet is on the side. Use the **red** measurements if the power inlet is on the rear.



3

If your device is smaller than the measurements shown below, your device is compatible.



| CART COMPATIBILITY | MFR. CODE AND DESCRIPTION | TOTAL DEVICES PER CART | MAX DIMENSIONS: POWER ON SIDE (mm) | MAX DIMENSIONS: POWER ON SIDE (inches) | MAX DIMENSIONS: POWER ON REAR (mm) | MAX DIMENSIONS: POWER ON REAR (inches) |
|--------------------|--------------------------------|------------------------|------------------------------------|--|------------------------------------|--|
| PCL 8011 | PCL 8105: Device rack 20 slots | 40 | 415mm x 268mm x 31mm | 16.34in x 10.55in x 1.22in | 435mm x 250mm x 31mm | 17.13in x 9.84in x 1.22in |
| PCL 8011 | PCL 8106: Device rack 18 slots | 36 | 415mm x 268mm x 35mm | 16.34in x 10.55in x 1.38in | 435mm x 250mm x 35mm | 17.13in x 9.84in x 1.38in |

www.pclocs.com.au

Phone: 1300 725 627

sales@pclocs.com.au

