

# Stainless Steel Device Racks

## for Carrier 30 Cart™

(Compatible with PCL8-10006)

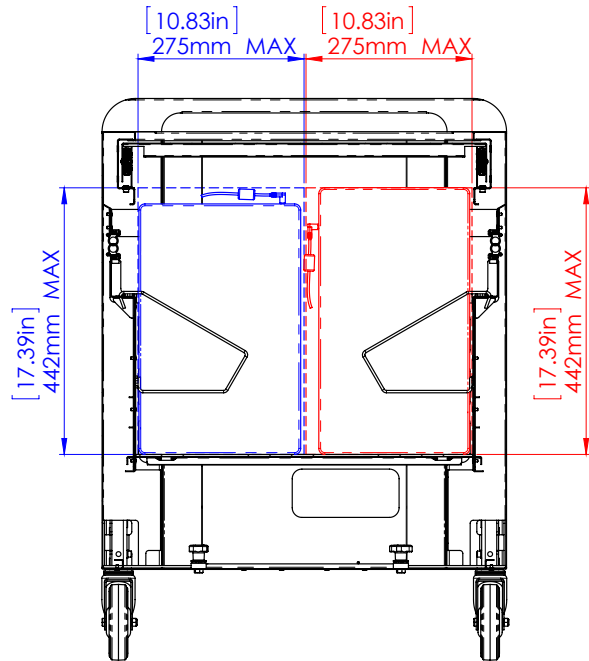
Need to fit bigger devices in your Carrier 30 Cart? Install PC Locs' Carrier Device Racks and expand the device compatibility to large Chromebooks, MacBooks and Laptops.



# Follow the steps below to check your device's compatibility with the Carrier 30 Cart (MK4).

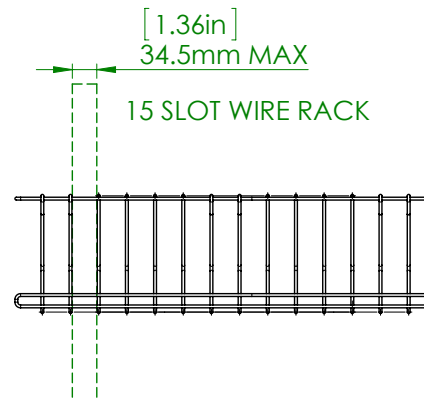
1

Check where the power inlet is located on your device. Is it on the side or on the rear of your device?



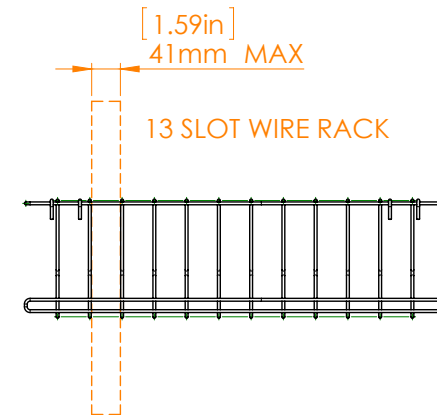
2

Check your device dimensions. Use the **blue** measurements if the power inlet is on the side. Use the **red** measurements if the power inlet is on the rear.



3

If your device is smaller than the measurements shown below, your device is compatible.



CART COMPATIBILITY	DESCRIPTION	TOTAL DEVICES PER CART	MAX DIMENSIONS WITH POWER CABLE (mm):	MAX DIMENSIONS WITH POWER CABLE (inches):
PCL8-10006	Device rack 15 slots	30	442 x 275 x 34.5	17.39 x 10.83 x 1.36
PCL8-10006	Device rack 13 slots	26	442 x 275 x 41	17.39 x 10.83 x 1.59

[www.pclocs.com.au](http://www.pclocs.com.au)

Phone: 1300 725 627

[sales@pclocs.com.au](mailto:sales@pclocs.com.au)

